

SD-409, KT-409

Standard AD board & kit for LCD display



Features

- VGA and Audio input
- Flexible, low cost and high performance
- For industrial, kiosk, gaming, digital signage application
- For 5.7" - 70" LCD panel with LVDS interface
- Dual channel stereo audio with 8 ohm 2W x 2



Specifications

Video	Hor. Frequency	30 ~ 94 KHz
	Ver. Frequency	48 - 75 Hz
	Resolution	1920x1200 @60Hz
	Pixel rate	205MHz for VGA
		187MHz for DVI
Plug & Play	DDC/CI	
Colors	10 bits 1073.7M true color	
	9300K, 7500K, 6500K, user mode	
OSD adjustment	Power, Auto, Up, Down, Menu	
	Multi-languages	
Temperature	Operation	0 ~ 50 degree C
	Storage	-40 ~ 70 degree C

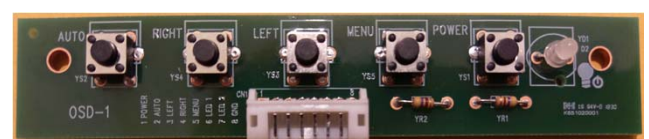
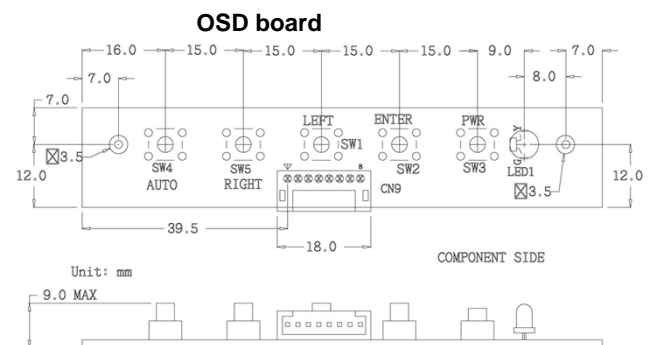
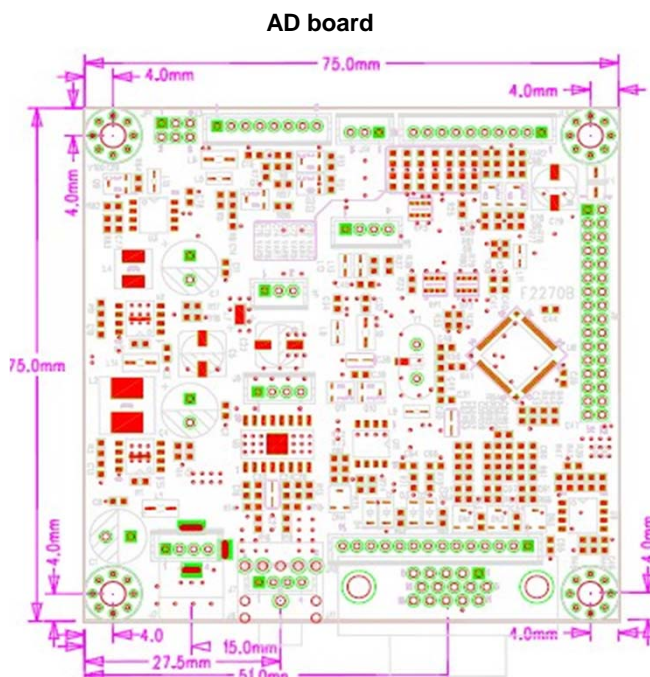
Input	VGA connector	15P D-sub
	Audio connector	Phone jack
	DC connector	2.5mm diameter
Power	DC input *	2.5D, 12 Vdc / 0.2A
	Consumption	< 4W
	Power saving	< 0.4W
	Management	VESA DPMS
	Panel selection	3.3V / 5V / 12V
Dimension	Auxiliary o/p	5V
	75 (L) x 75 (W) x 14.2 (H) mm	
Agency	Packing quantity	100 pcs / carton
	FCC / CE compliance	

* Changeable to 2.5mm diameter DC jack.

Ordering information

- Kit accessory :
 - 1). OSD board
 - 2). OSD wire
- Selected options :
 - 1). LVDS wire
 - 2). LED wire
 - 3). VGA cable
 - 4). LED controller
 - 5). Power adapter
 - 6). Power cord
 - 7). Audio cable
 - 8). Speaker

Product drawing



* All specification and photos are subject to change without notice.