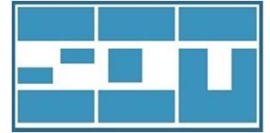


SD-406, KT-406

Standard AD board & kit for LCD display



Features

- VGA, HDMI, Audio input
- Optional on-board VGA input with PH 2.0 wafer
- Flexible, low cost and high performance
- For industrial, kiosk, gaming, digital signage application
- For LCD panel with eDP interface
- Dual channel stereo audio with 8 ohm 2W x 2
- Optional RS232 remote control



Specifications

Video	Hor. Frequency	30 ~ 94 KHz
	Ver. Frequency	48 - 75 Hz
	Resolution	1920x1080 @60Hz
	Pixel rate	205MHz for analog
		165MHz for digital
Plug & Play	DDC/CI	
Colors	6/8 bit 16.7M true color	
	9300K, 7500K, 6500K, user mode	
OSD adjustment	Power, Menu, Source, R, L, U, D	
	Multi-languages	
Temperature	Operation	0 ~ 40 degree C
	Storage	-40 ~ 70 degree C

Input	VGA connector	15 pin D-sub
	HDMI connector	HDMI v1.3, HDCP v1.1
	on-board VGA con	12Pin 2.0mm wafer
Power	DC input *	12 Vdc / 0.2A / 2.1D
	Consumption	< 7W
	Power saving	< 0.5W
	Management	VESA DPMS
	Panel selection	
Dimension	Auxiliary o/p	12V / 5V
		130 (L) x 61 (W) x 14 (H) mm
Agency	Packing quantity	100 pcs / carton
		FCC / CE compliance

* Changeable to 2.5mm diameter DC jack.

Ordering information

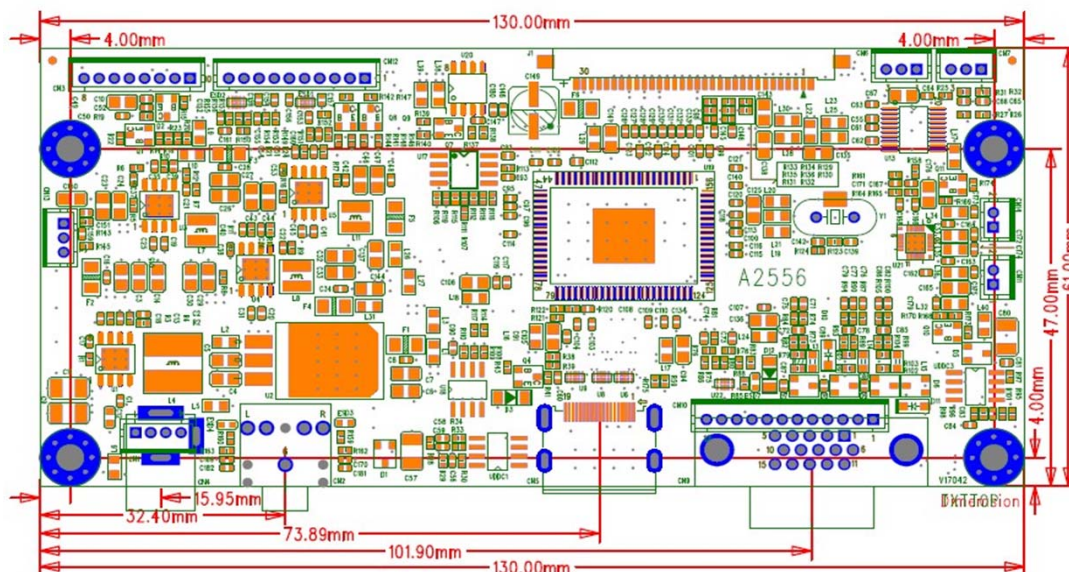
- Kit accessory :
 - 1). OSD board
 - 2). OSD wire
- Selected options :

1). LVDS wire	2). LED wire	3). VGA cable
4). HDMI cable	5). LED controller	6). Power adapter
7). Power cord	8). Audio cable	9). Speaker

Product drawing

AD board

OSD board



* All specification and photos are subject to change without notice.