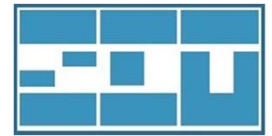


SD-401, KT-401

Standard AD board & kit for LCD display



Features

- VGA, DVI-I, HDMI, Audio input
- Flexible, low cost and high performance
- For industrial, kiosk, gaming, digital signage application
- For 5.7" - 70" LCD panel with LVDS interface
- Dual channel stereo audio with 8 ohm 10W x 2
- Optional IR remote and RS232 control



Specifications

Video	Hor. Frequency	30 ~ 94 KHz
	Ver. Frequency	48 - 75 Hz
	Resolution	1920x1200 @60Hz
	Pixel rate	205MHz for VGA 187MHz for DVI
	Plug & Play	DDC/CI
Colors	10 bits 1073.7M true color	
	9300K, 7500K, 6500K, user mode	
OSD adjustment	Power, Auto, Up, Down, Menu	
	7 multi-languages	
Temperature	Operation	0 ~ 50 degree C
	Storage	-40 ~ 70 degree C

Input	VGA connector	15P D-sub
	DVI-D connector	24+5P D-sub
	HDMI	HDMI v1.3, HDCP v1.1
Power	DC input *	2.1D, 12 Vdc / 0.2A
	Consumption	< 2.5W
	Power saving	< 0.5W
	Management	VESA DPMS
	Panel selection	3.3V / 5V / 12V
Dimension	165.5 (L) x 100 (W) x 14.2 (H) mm	
	Packing quantity	100 pcs / carton
Agency	FCC / CE compliance	

* Changeable to 2.5mm diameter DC jack.

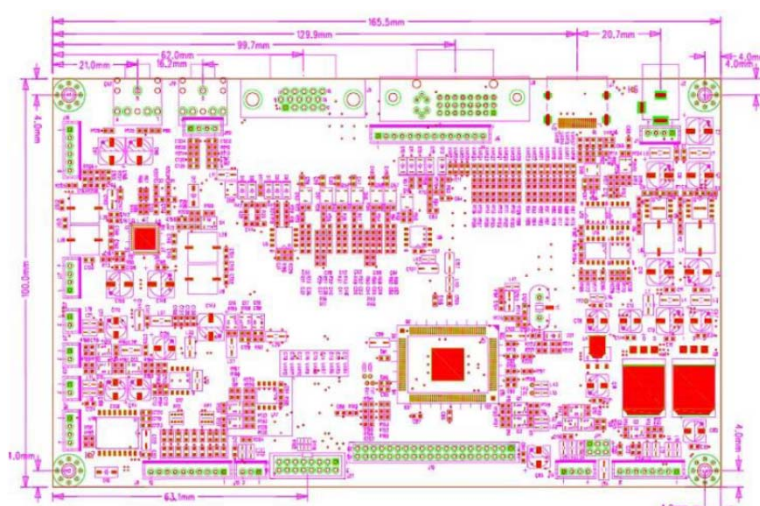
Ordering information

- Kit accessory :
 - 1). OSD board
 - 2). OSD wire
- Selected options :

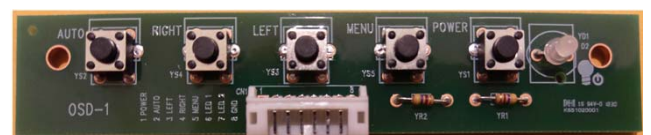
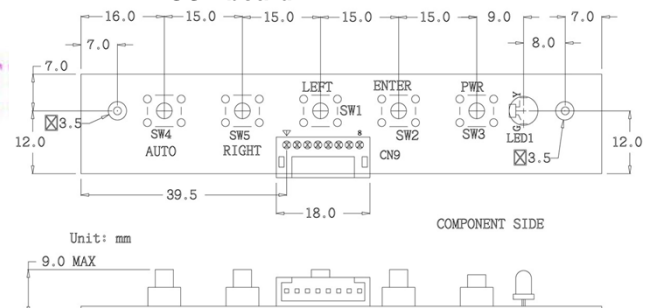
1). LVDS wire	2). LED wire	3). VGA cable
4). DVI cable	5). HDMI cable	6). LED controller
7). Power adapter	8). Power cord	9). Audio cable
10). Speaker	11). IR remote control board	12). RS232 board

Product drawing

AD board



OSD board



* All specification and photos are subject to change without notice.